

Pressure Gauges / Accurate Pressure Gauges / Stainless Steel Types / Ø 160 mm.

CONSTRUCTIVE PROPERTIES

	STANDARD	OPTIONAL
Mounting Type	Bottom Connection	See Technical Drawing
Scale Unit	bar/psi	bar kg/cm ² psi
Scale Range (PN)	0 - 1000 0/6 0/10 0/16 0/25 0/40 0/60 0/100 0/160 0/250 0 - 315 0/400 0/600 0/4 0/2,5 0/1,6 0/0,6 0/1	
Vacuum Scale Range	-1 / 0 -1 / +0,6 -1 / +1,5 -1 / +3 -1 / +5 -1 / +9 -1 / +15 -1 / +24	
Case	Stainless Steel AISI-304	Stainless Steel AISI-316L
Bezel	Stainless Steel AISI-304	Stainless Steel AISI-316L
Window	Safety Glass	-
Movement	Stainless Steel AISI-304	Vib-lock Movement
Wetted Parts	Stainless Steel AISI-316L	Monel 400
Connection	G 1/2" B	1/2" NPT
Dial	Aluminum	-
Pointer	Adjustable Aluminum Stainless Steel AISI-304	Adjustable AISI -304
Welding	Special Welding	-

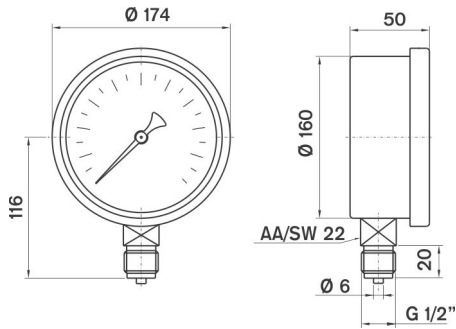
USAGE PROPERTIES

Fluid Temperature	Maximum + 200 °C	-
Ambient Temperature	- 20 ... + 60 °C	-
Operating Pressure (max.)	Must not exceed full scale.	
Over Pressure Limit	F.S. x 1,3	-
Accuracy Class	CL 1.0	CL 0.5
Protection Rate	IP 65	IP 68
Optimum Operating Range	Between 0,0 x PN and 1,0 x PN	
Storage Temperature	-40 ... +70 °C	-
Conformity	EN 837 - 1	-
Mechanical Shock Test Load	15g	-
Mechanical Vibration Test	10 Hz ile 150 Hz -1 oktav/dk. 2s / 3 eksende	



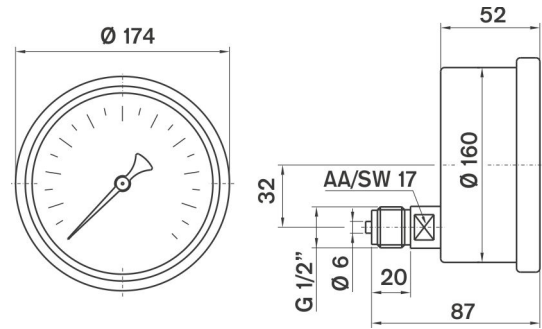
MH160DLS1
Bottom Connection

Pressure Gauges / Accurate Pressure Gauges / Stainless Steel Types / Ø 160 mm.



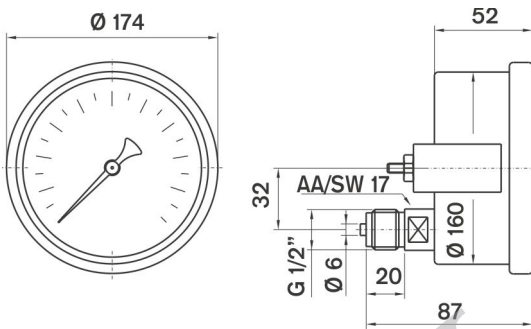
Model No: MH160DLS1

Bottom Connection



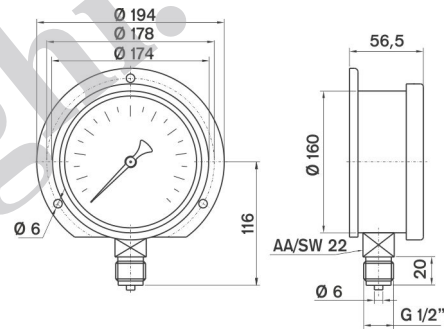
Model No: MH160DLS4

Lower Back Connection



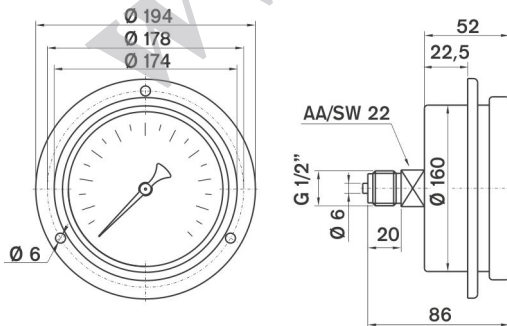
Model No: MH160DLS5

Lower Back Panel Mount Connection



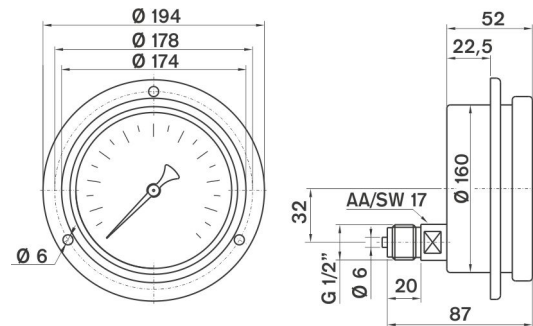
Model No: MH160DLS6

Bottom Connection with Back Flange



Model No: MH160DLS8

Back Connection with Front Flange



Model No: MH160DLS9

Lower Back Connection with Front Flange